

## MAGNETIC DRIVE PUMP

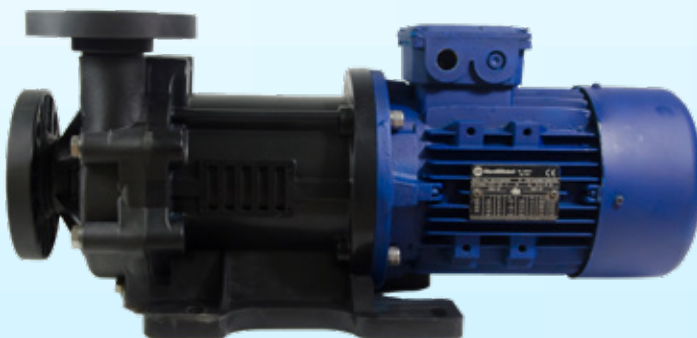


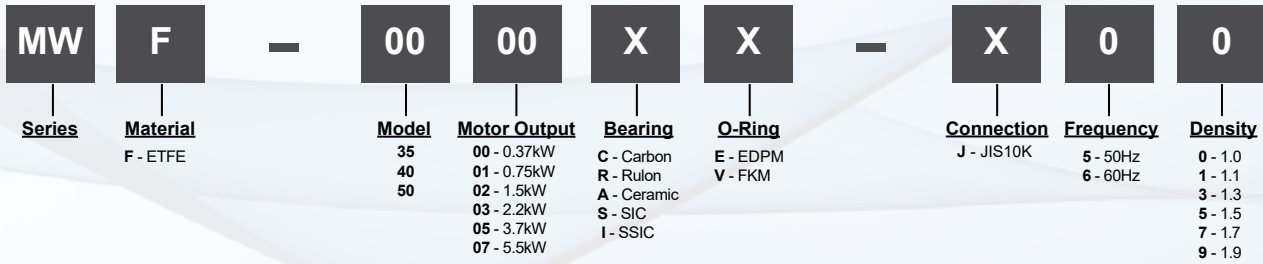
CAVALLI

# MWF SERIES MAGNETIC DRIVE PUMP

## FEATURES

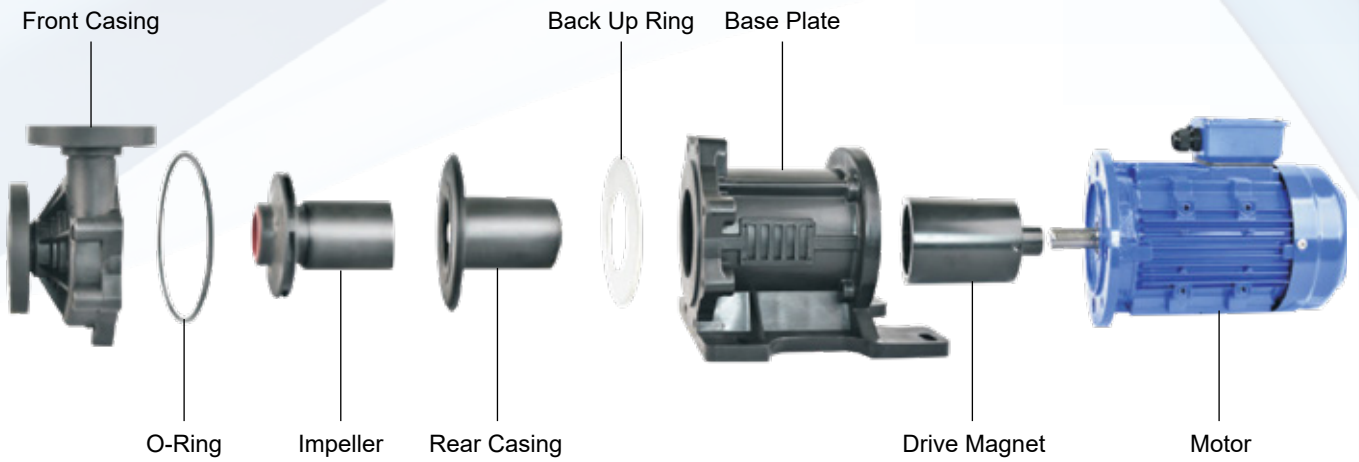
- Wetted material is carbon fiber reinforced ETFE
- Flow rates up to 830 L/min, discharge head of 34m
- Maximum temperature of 90°C
- Suitable for a wide range of chemicals
- Adaptable to IEC standard motor (0.37 kW to 5.5kW)
- Flange option available



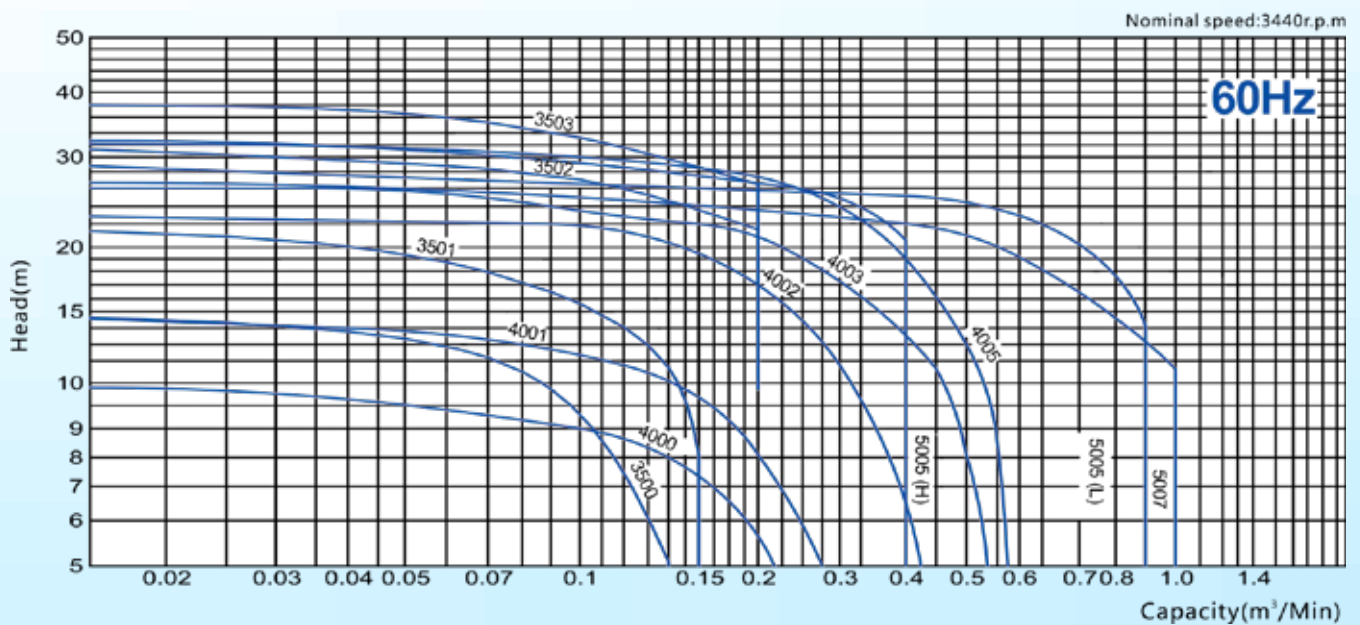
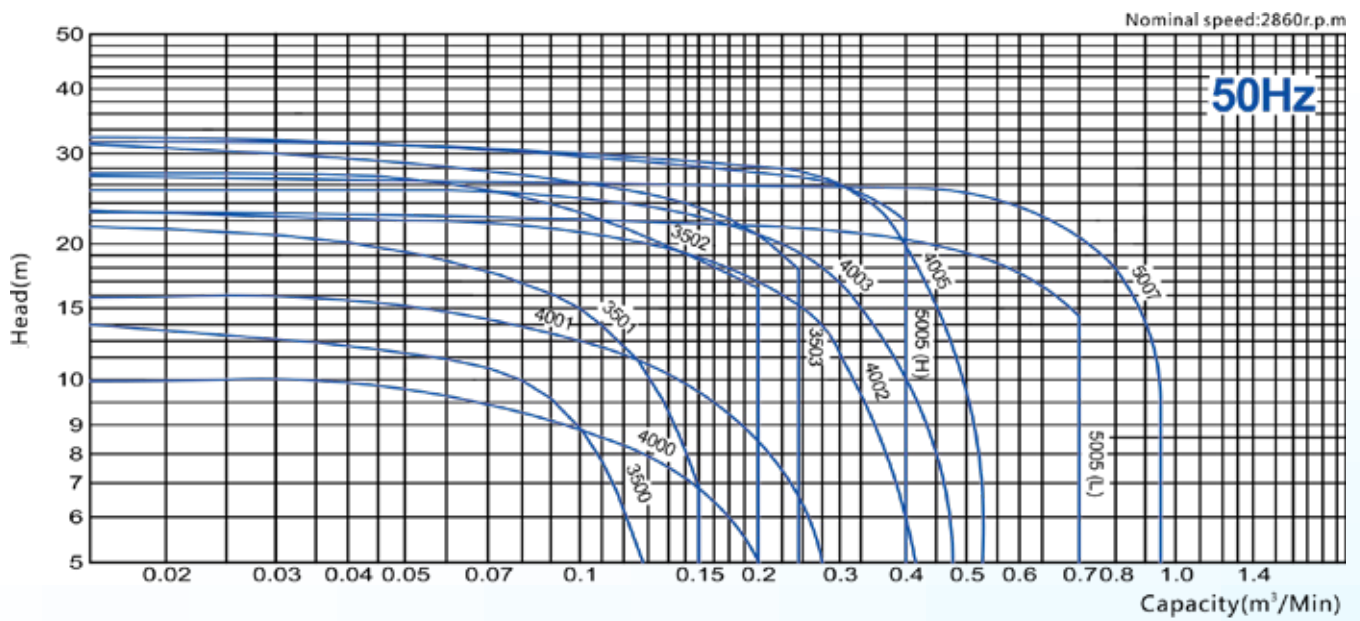


MODEL	FLANGE SIZE		PUMP PERFORMANCE AT SPECIFIC POINT (M-L/min)			MOTER OUTPUT (kW)	WEIGHT (kg)
	OUTLET (mm)	INLET (mm)	SPECIFIC GRAVITY	50Hz	60Hz		
MWF-3500	25	25	1.2	10.0 - 80	11.0 - 80	0.37	16
			1.5	11.0 - 40	11.0 - 50		
			1.9	6.0 - 50	7.0 - 50		
MWF-3501	25	25	1.2	15.0 - 100	17.0 - 80	0.75	25
			1.5	12.4 - 80	14.5 - 70		
			1.9	12.0 - 80	14.5 - 20		
MWF-3502	32	32	1.2	23.0 - 100	27.0 - 100	1.5	38
			1.5	21.0 - 100	25.0 - 100		
			1.9	18.0 - 100	21.0 - 100		
MWF-3503	32	32	1.2	24.0 - 150	32.0 - 120	2.2	46
			1.5	22.0 - 150	29.0 - 120		
			1.9	19.0 - 150	25.0 - 120		
MWF-4000	40	40	1.2	7.4 - 135	8.0 - 110	0.37	21
			1.5	6.5 - 135	5.2 - 135		
			1.9	4.7 - 120	3.9 - 120		
MWF-4001	40	40	1.2	10.0 - 180	9.5 - 180	0.75	30
			1.5	8.5 - 160	8.8 - 160		
			1.9	6.0 - 175	5.2 - 175		
MWF-4002	40	50	1.2	16.0 - 260	15.5 - 260	1.5	45
			1.5	13.0 - 240	13.5 - 240		
			1.9	10.0 - 280	7.9 - 280		
MWF-4003	40	50	1.2	17.0 - 330	15.0 - 330	2.2	53
			1.5	15.0 - 310	16.3 - 310		
			1.9	14.0 - 280	13.0 - 280		
MWF-4005	40	50	1.2	24.5 - 390	20.5 - 390	3.7	64
			1.5	20.5 - 310	20.3 - 350		
			1.9	15.2 - 220	19.3 - 290		
MWF-5005 (L)*	50	65	1.2	21.0 - 500	20.0 - 500	3.7	72
			1.5	16.0 - 500	16.0 - 500		
			1.9	13.0 - 500	11.0 - 500		
MWF-5005 (H)*	50	65	1.2	24.3 - 350	25.0 - 350	3.7	72
			1.5	20.0 - 350	19.7 - 350		
			1.9	20.0 - 350	17.0 - 350		
MWF-5007	50	65	1.2	21.5 - 600	22.5 - 600	5.5	99
			1.5	19.0 - 600	19.5 - 600		
			1.9	16.0 - 600	15.0 - 600		

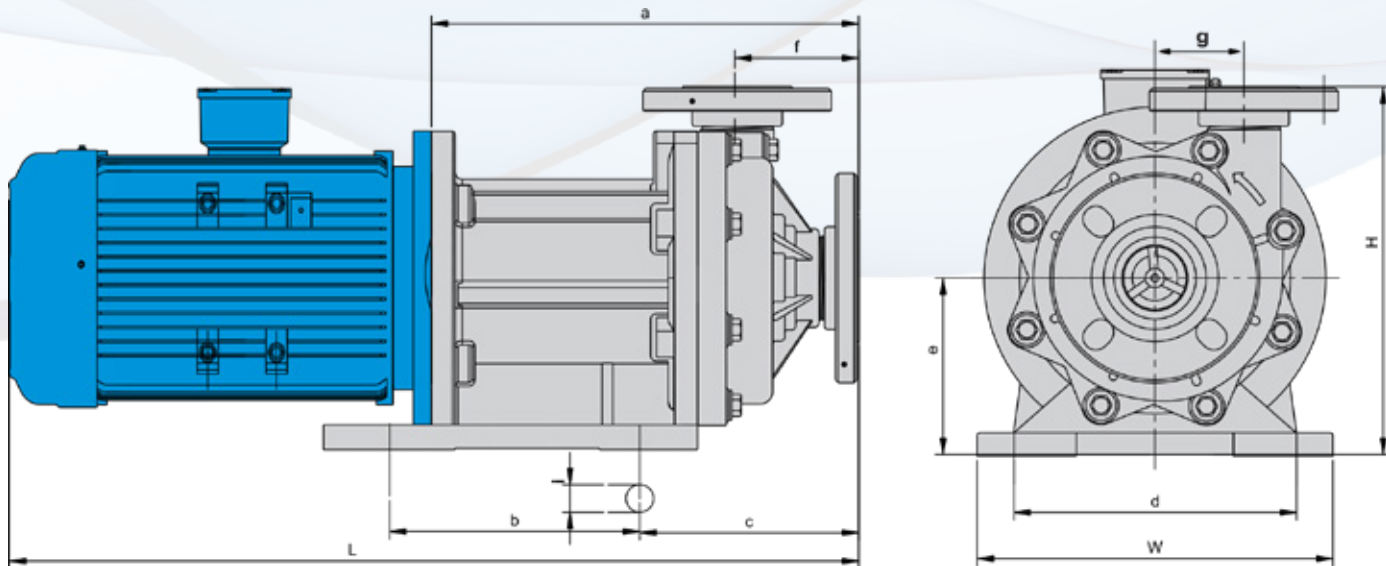
\* L = High Flow Rate; H = High Head



## PERFORMANCE CURVES



## INSTALLATION DIMENSIONS



Dimensions in mm

MODEL	W	H	L*	a	b	c	d	e	f	g	i
MWF-3500	157	257	472	232.5	130	161	130	115	88	77.5	12
MWF-3501	160	257	470	240	130	170	130	115	88	77.5	12
MWF-3502	160	242	505.5	222.5	132	155	130	120	78	57	12
MWF-3503	160	242	505.5	222.5	132	155	130	120	78	57	12
MWF-4000	140	216	473	233	98	150	110	95	87	51	12
MWF-4001	160	254	488	256	130	184	130	115	102.5	57.5	12
MWF-4002	260	255	620	305	200	158	208	115	89	65	14
MWF-4003	260	255	620	305	200	158	208	115	89	65	14
MWF-4005	260	270	688	326	200	158	208	130	89	65	14
MWF-5005	260	319	650.5	287.5	300	123.2	220	162	89.5	60	14
MWF-5007	260	319	676.5	311.5	300	123.2	220	162	89.5	60	14

### Remarks:

1. The size in the table is shown with JIS motor.
2. All sizes & constructions are subject to change without notice.
3. \* Depending on the type of motor used.